



FUME SCRUBBERS



Conditionaire International Pty Ltd
ABN: 22 001 452 982

Po Box 67
Marrickville NSW 1475

12-20 Cook Rd
Marrickville NSW 2204

P: (02) 9774 3355

F: (02) 9774 3483

E: sales@conditionaire.com.au

W: www.conditionaire.com.au



FS01 & FS02 SCRUBBERS



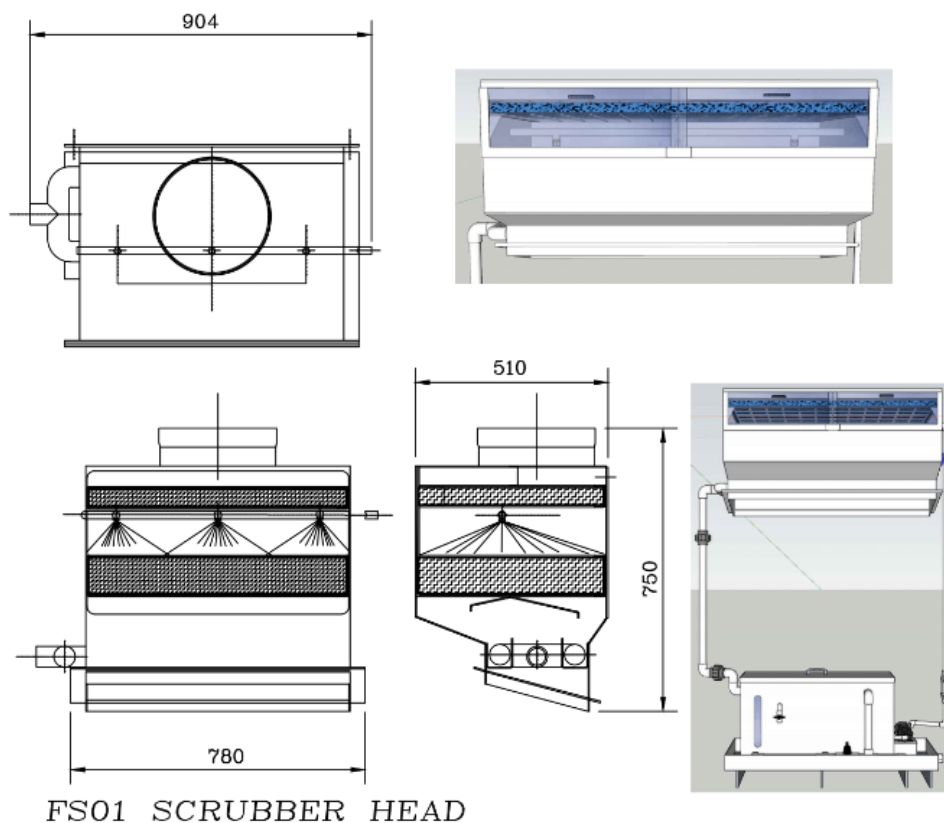
The FS-01 and FS-02 Wet Fume Scrubbers efficiently cleans the contaminated fumes and gases passing through the scrubber chamber—mounted directly above the fume cupboard chamber—via a high efficiency polypropylene pad system. The scrubber is also fitted with a high efficiency mist eliminator impingement blade system to remove 99% of mist from the process.

Additionally, the scrubber system is fitted with a wash-down spray bar to wash the rear internal chamber. After the wash-down cycle, the wash liquid is directed into the fume cupboards rear runnel drain point.

Includes recirculating neutralising tank located underneath the fume cupboard complete with, special chemical pump, sight glass, drip tray, drain connection point and removable lid.

PH Dosing system available on request.

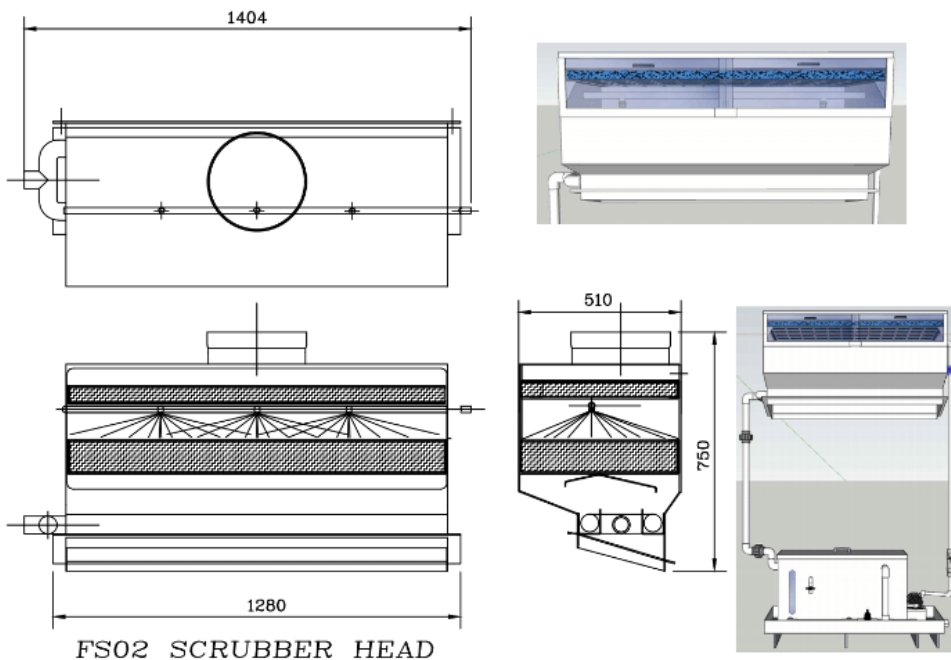
To find out more, contact us today.



FS01 SCRUBBER HEAD



FS01 & FS02 SCRUBBERS



Features

- Polypropylene/UPVC construction.
- Recirculation of water- efficient.
- Will fit all fume cupboard models
- Mounted inline with fume cupboard
- Light weight, compact physical size.
- Easily removable scrubber pad assembly.
- Viewing panels for sprays and water level.
- Interfaced with fume cupboard control and low water alarm functions.
- Can be automatic or manual mode

Options:

- Sampling outlet tap.
- Rear Baffle washdown system
- Automatic IWAKI dosing system.
- Direct fume cupboard mounting with remote neutralizing tank.

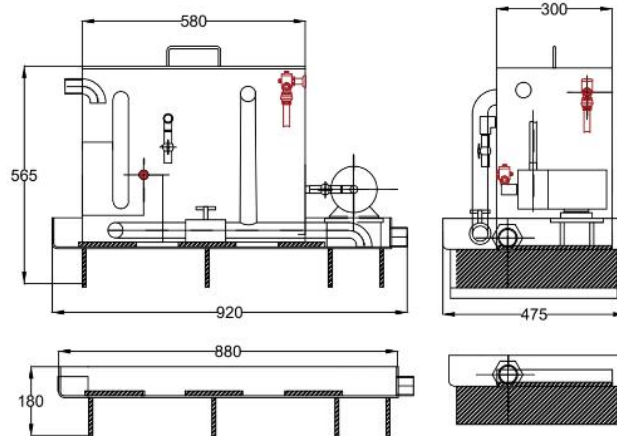
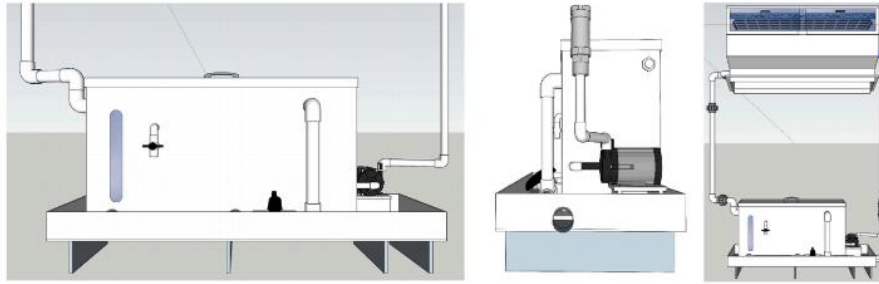
Conditionaire International Pty Ltd

12-20 Cook Rd Marrickville NSW 2204
P: (02) 9774 3355 F: (02) 9774 3483
sales@conditionaire.com.au www.conditionaire.com.au

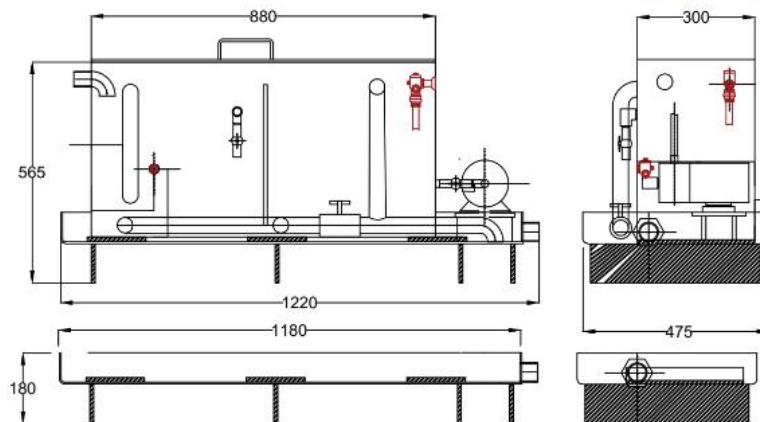
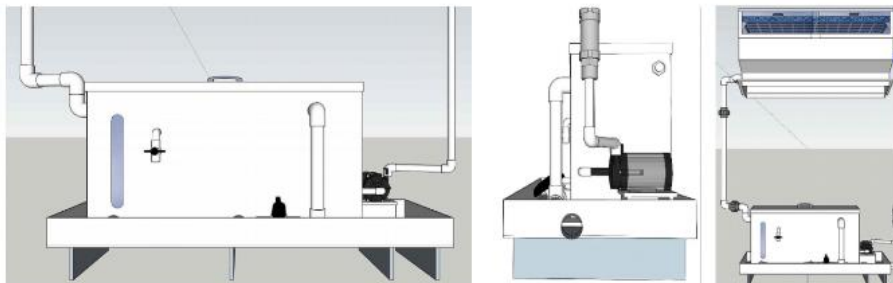


"the fume cupboard and air curtain specialists"

FS01 & FS02 SCRUBBERS



FS01 DOSING TANK



FS02 DOSING TANK

Conditionaire International Pty Ltd

12-20 Cook Rd Marrickville NSW 2204

P: (02) 9774 3355 F: (02) 9774 3483

sales@conditionaire.com.au www.conditionaire.com.au





FS03 & FS04 SCRUBBER



The FS-03 & FS-04 self-contained Fume Scrubbers efficiently clean the contaminated fumes and gases passing through the scrubber chamber—it is exclusive in its ability to be retrofitted to existing fume cupboards or installed externally from the fume cupboard where space is restricted. This scrubber uses a high efficiency polypropylene pad system and is also fitted with a high efficiency mist eliminator system to remove 99% of mist from the process. To find out more, contact us today. The FS-04 Inline vertical scrubber series can be custom made to suit a range of applications.

Features

- Polypropylene/UPVC construction.
- Recirculating and completely self-contained.
- Will fit all fume cupboard models/ducting systems
- Mounted externally to fume cupboard
- Light weight, compact physical size.
- Easily removable pad assembly.
- Viewing panels for sprays and water level.
- Interfaced with fume cupboard control with alarm functions.
- Can be automatic or manual mode

Options:

- Sampling outlet tap.
- Vertical or Horizontal configuration
- Automatic IWAKI dosing system.
- Alarm controller with programmable outputs
- Custom made to suit application.



Conditionaire International Pty Ltd

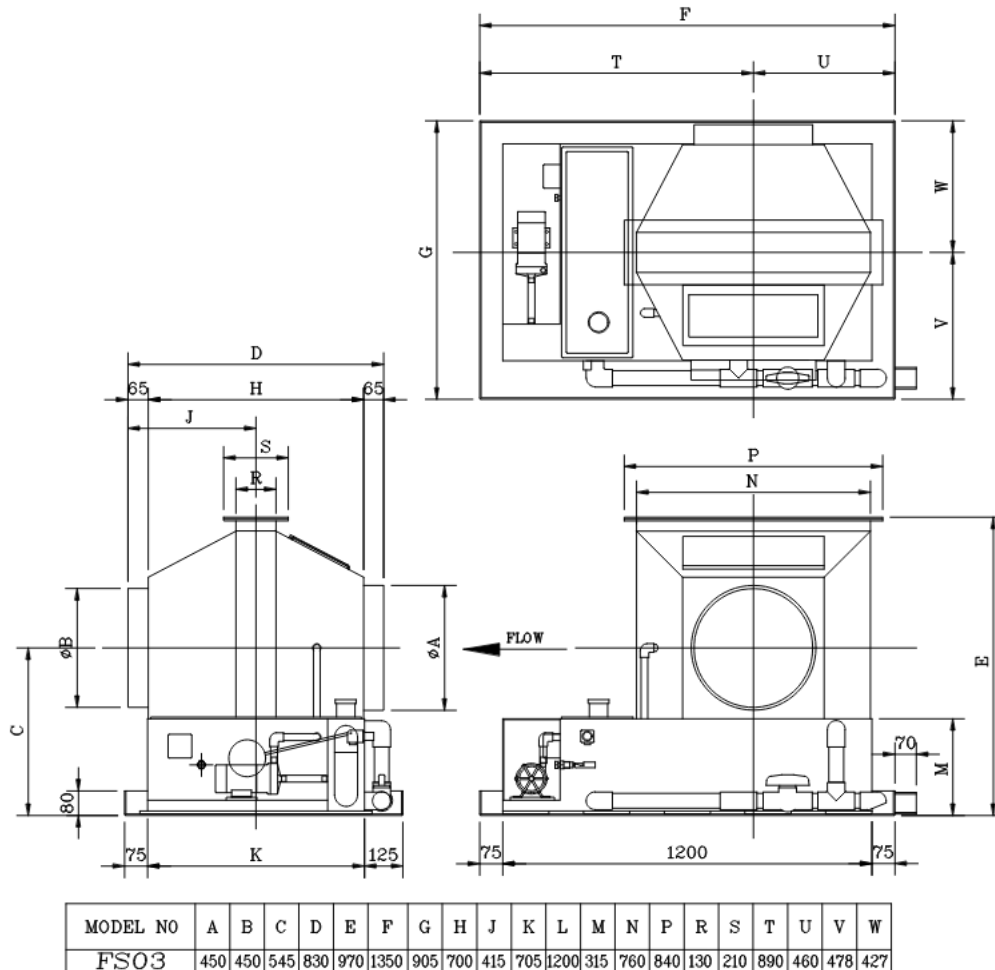
12-20 Cook Rd Marrickville NSW 2204
P: (02) 9774 3355 F: (02) 9774 3483
sales@conditionaire.com.au www.conditionaire.com.au





"the fume cupboard and air curtain specialists"

FS03 SCRUBBER



FS03 - Horizontal Fume Scrubber

Conditionaire International Pty Ltd

12-20 Cook Rd Marrickville NSW 2204

P: (02) 9774 3355 F: (02) 9774 3483

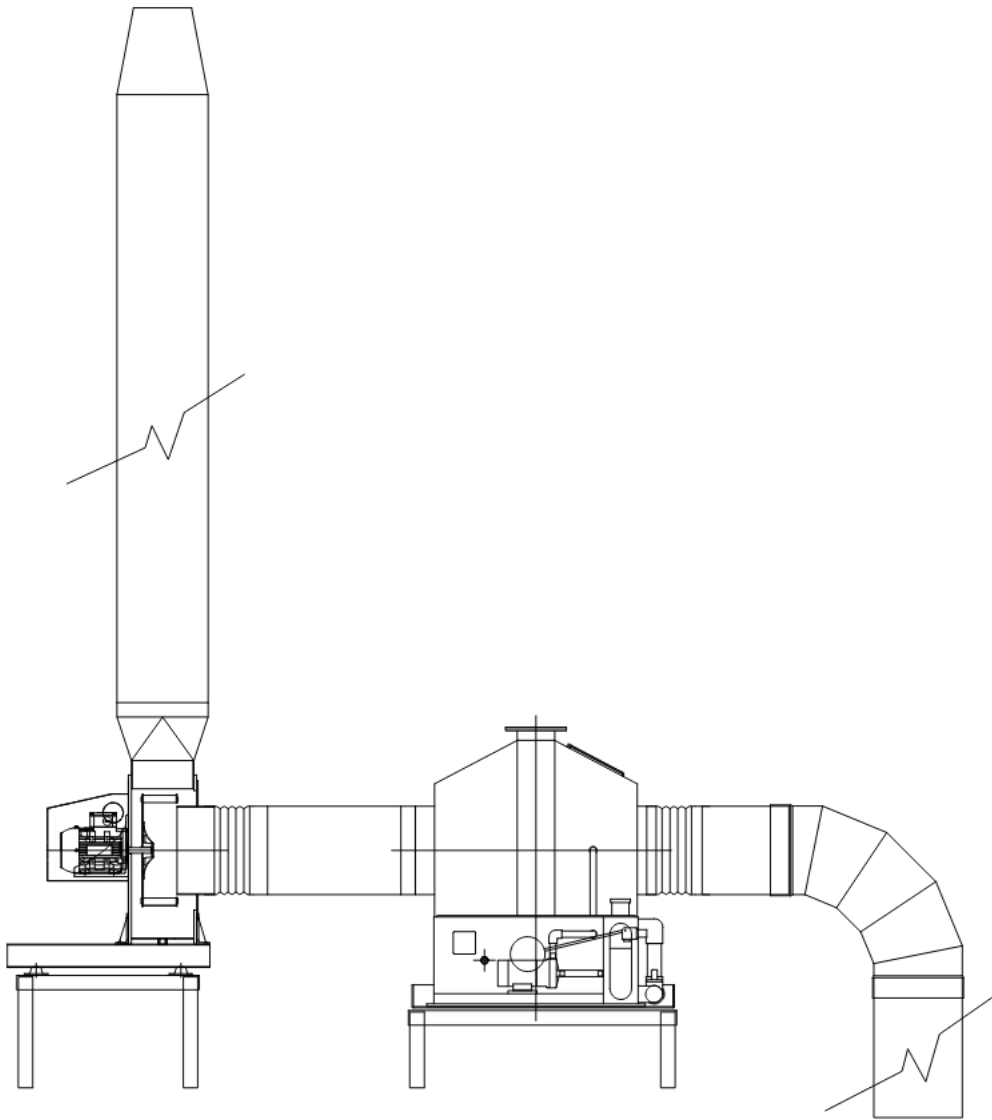
sales@conditionaire.com.au www.conditionaire.com.au





"the fume cupboard and air curtain specialists"

FS03 SCRUBBER



FS03 - Horizontal Fume Scrubber Mounted at Fan Inlet (Typical)

Conditionaire International Pty Ltd

12-20 Cook Rd Marrickville NSW 2204

P: (02) 9774 3355 F: (02) 9774 3483

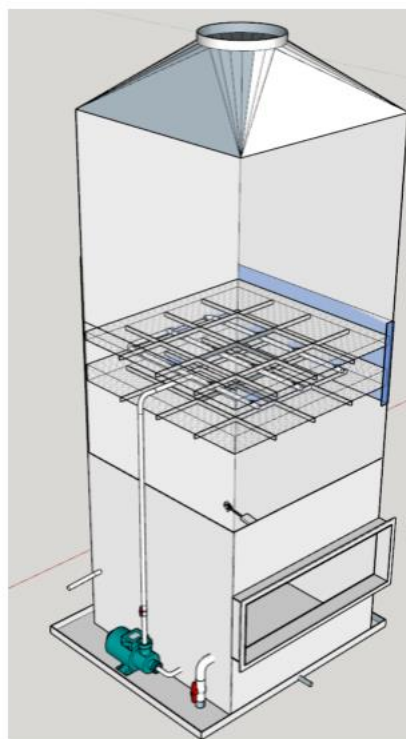
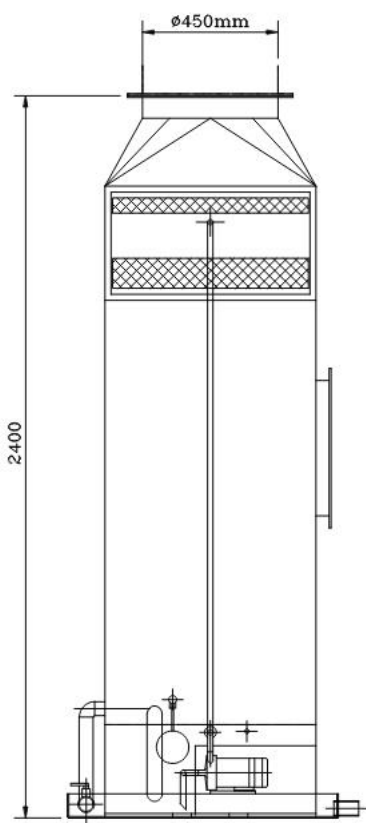
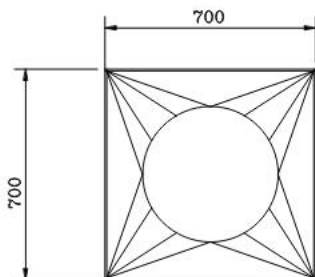
sales@conditionaire.com.au www.conditionaire.com.au





"the fume cupboard and air curtain specialists"

FS04 SCRUBBER



FS04 VERTICAL SCRUBBER
CUSTOM SIZE AVAILABLE
TO SUIT APPLICATION

FS04 - Vertical Fume Scrubber (Typical)

Conditionaire International Pty Ltd

12-20 Cook Rd Marrickville NSW 2204

P: (02) 9774 3355 F: (02) 9774 3483

sales@conditionaire.com.au www.conditionaire.com.au

